

ADVANCED HIGH CEILING

Atria 4 Series - Tunable White Version (ColorFlip™)



4-inch aperture high lumen atria with lumen output 1545 – 4470lm.

- ColorFlip™

Utilize latest flip chip technology for optimum efficacy, delivering consistent high lumen output with 105LPW at CRI85+ when color tuning from 2700K to 6500K. Compatible to all 0-10V and DMX dimming controls. Standard version available, please refer to Standard spec sheet for more details.



Quantity		Type	
Project		Note	

Delivered Lumens*

ColorFlip™	2700K	3000K	3500K	4000K	4500K	5000K	5700K	6500K	*Lumen Multiplier 40° baseline 60° 0.82
DMX CCT Signal (%)	0%	10%	25%	45%	60%	70%	85%	100%	
0-10V CCT Voltage	0	1	2.5	4.5	6	7	8.5	10	
65W	3820 lm	4035 lm	4255 lm	4470 lm	4435 lm	4395 lm	4355 lm	4320 lm	
45W	2985 lm	3085 lm	3190 lm	3290 lm	3310 lm	3330 lm	3350 lm	3370 lm	
35W	2543 lm	2628 lm	2717 lm	2802 lm	2819 lm	2836 lm	2853 lm	2870 lm	
25W	2175 lm	2185 lm	2200lm	2210 lm	2270 lm	2335 lm	2400 lm	2460 lm	
15W	1545 lm	1585 lm	1630lm	1670 lm	1690 lm	1710 lm	1730 lm	1750 lm	
CRI	85	86	87	88	89	88	87	86	

Electrical System

- 15W, 25W, 35W, 45W, 65W
- Power Input: Universal (120-277V)
- Operating Temperature: -13°F~104°F
- Surge Protection: 2.5KV
- Remote Emergency Pack: Bodine BSL20LV

LED Technology

- ColorFlip™ (Tuning White: 2700K ↔ 6500K)
- 85+ CRI
- Beam Angle: 40°, 60°, WD (with diffuser)
- Glowing Ring Option
- Rated Life > 60,000 Hours (L70)

Warranty

- 5 year limited warranty

Advanced Dimming

(Proprietary VX Driver is incorporated to all dimming options for video flicker-free lighting)

- DMX: high resolution dims to 0.1% (2 channel)
(Supports ANSI E1.20 RDM protocol)
- Superior 0-10V: dims to 1% (2 channel)
1 channel control dimming, 1 channel control CCT.

Housing

- Diameter: 4.8" (122mm)
- Height: 12.6" (320mm)
- Material: Aluminum
- Weight: 8 lbs

Mounting

- Surface Mount
- Stem 2ft or 4ft; 45° Swivel Canopy Included
- Adjustable Aircraft Cable 10ft
- Yoke Mount



Atria 4 Series - Tunable White Version (ColorFlip™)





How To Specify:

Ordering Example: AS4-65-TNW-UNV-DMX-40-GLR-WHT-AD10

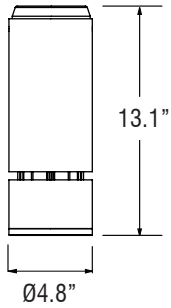
4-5 weeks lead time on over 75% of specifications.

Model	Wattage	CCT / CRI	Voltage	Dimming
AS4		TNW	UNV	
AS4 Atria 4	15 15W 25 25W 35 35W 45 45W 65* 65W	TNW 2700K - 6500K	UNV 120-277V	SPV Superior 0-10V dims to 1% DMX DMX dims to 0.1% (XLR Sockets) DMX(RJ45) DMX dims to 0.1% (RJ45 Sockets)
*Option is not compatible with TRIAC, ECO and 3-wire.				

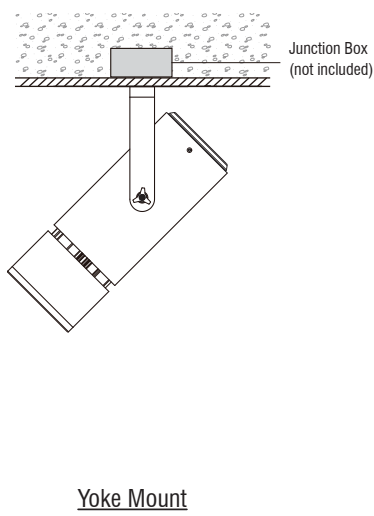
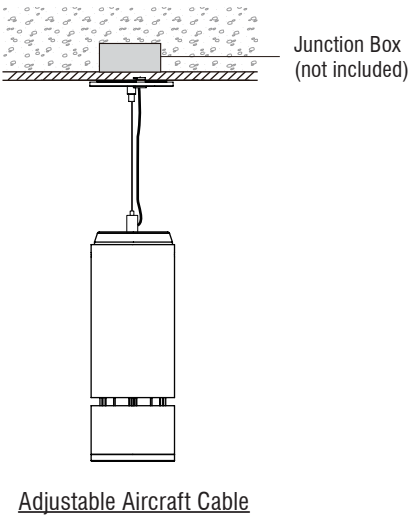
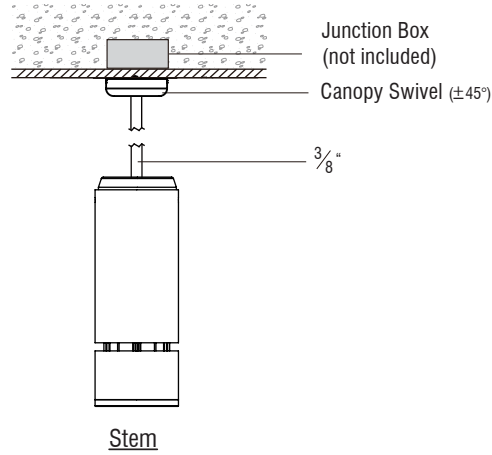
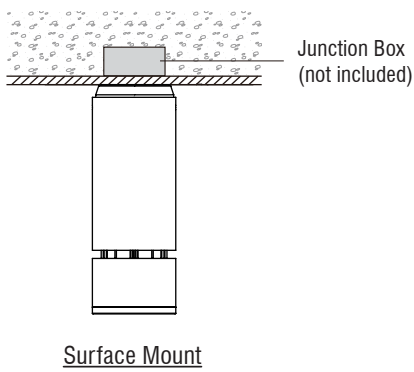
Beam Angle	Rim Finish	Finish	Mounting	Accessories
40 40° 60 60° WD* 100° (with diffuser)	 STD Without Ring  GLR Glowing Ring	BLK Black WHT White	SUM Surface Mount ST2 Stem 2ft ST4 Stem 4ft AD10 Adjustable Cable 10ft YKM Yoke Mount	DF* Diffuser EMP Remote Emergency Pack
*Please factor in change in lumen output with diffuser (-20% with DF).				*Please factor in change in lumen output with diffuser (-20% with DF).

Atria 4 Series - Standard

Dimensions



Mounting Options



DMX Requirements*

Each Atria 4 DMX unit has TWO CHANNELS per fixture (1 to control intensity, 1 to control color).

Fixture will be controlled by DMX number controlling intensity.

We do not recommend more than 15 fixtures per DMX daisy chain.

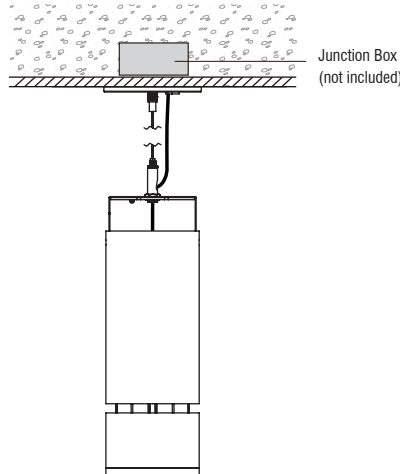
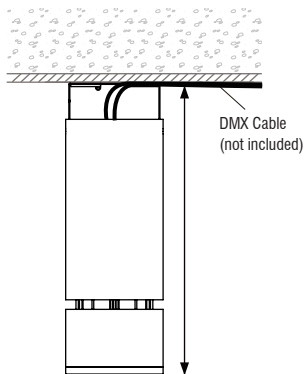
When placing order, please indicate DMX address (refer to DMX Address example below).

DMX address will be listed on the back of each fixture.

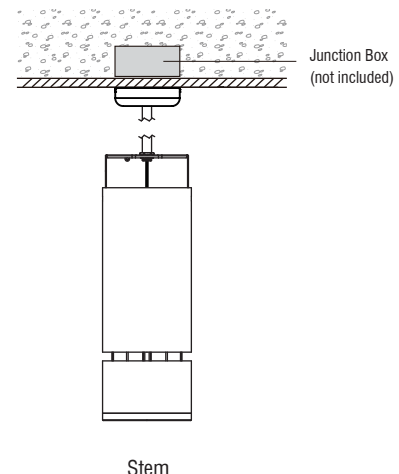
Fixture	DMX Address	
	Intensity Control (ex. X)	Color Control (ex. X+1)
#1	1	2
#2	3	4
#3	5	6

The LED fixture provide RJ45 Socket or XLR socket to connect. (DMX cable NOT included.)

The final fixture should be terminated by the use of DMX Terminator (by others).

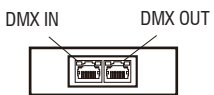


Adjustable Aircraft Cable

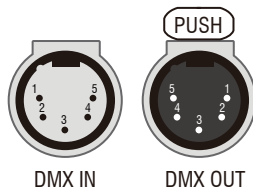


Stem

RJ45 Sockets



XLR Sockets

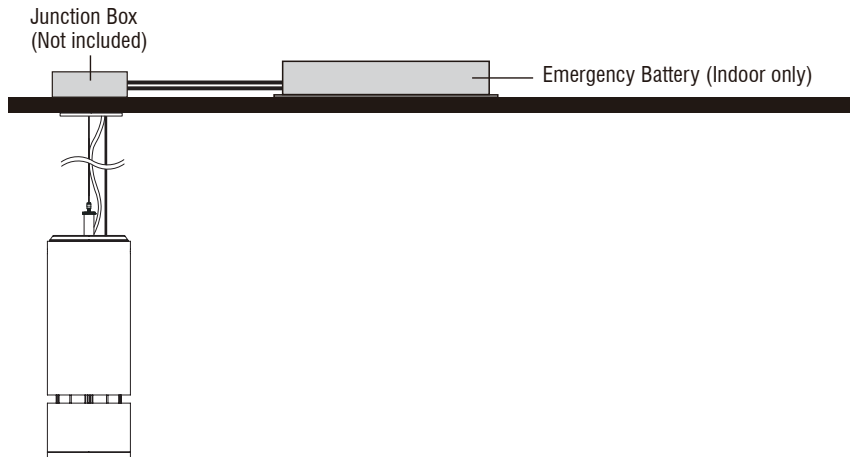
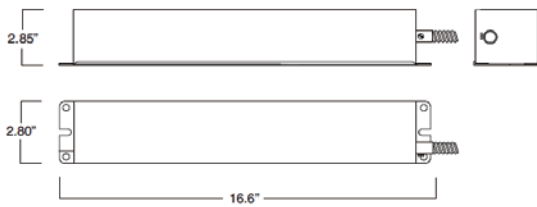


CONNECTION	RJ45 (CAT5e)	5-PIN XLR
Common	WHITE/BROWN(PIN7) & BROWN(PIN 8)	PIN 1
Signal -	ORANGE(PIN 2)	PIN 2
Signal +	WHITE/ORANGE(PIN 1)	PIN 3
Spare		PIN 4
Spare		PIN 5

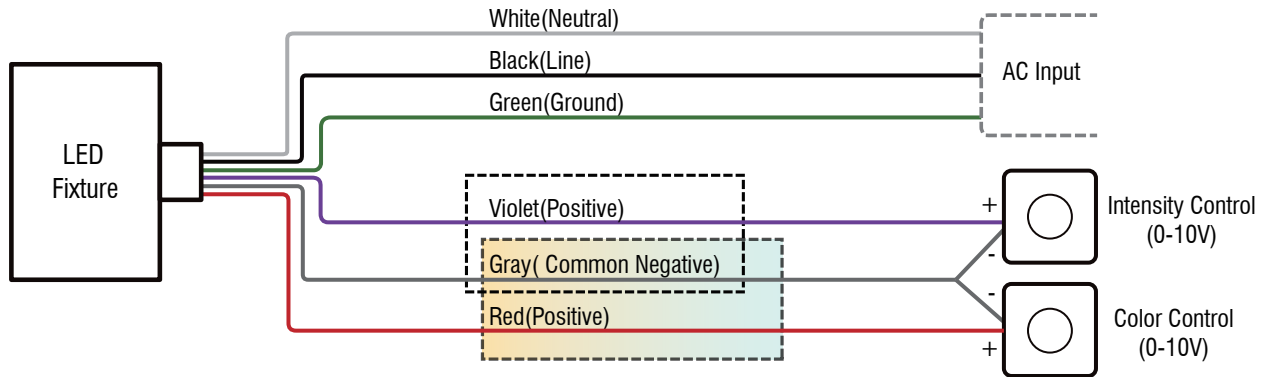
Emergency Pack Lumen Output Table

CCT	2700K	3000K	4000K	5000K
Lumen	1640 lm	1760 lm	1890 lm	1950 lm

Remote Emergency Pack



Superior 0-10V Wiring Diagram



DMX Wiring Diagram

